

GPC, GPL mini series

Ordering code

GPC 6 01 □ - M

① ② ③ ④ ⑤

① Model	② Port size	③ Thread connection		④ Standard color		⑤ Style type
GPC: Male connector (G thread) 	3.2: Φ 3.2mm 4: Φ 4mm 6: Φ 6mm	Thread connection	Adaptable port size	Standard color	Specification	M: Mini type
GPL: Male elbow (G thread) 		M3: M3X0.5	Φ 3.2, Φ 4	Blank: Gray	Release button: Gray	
		M5: M5X0.8	Φ 3.2, Φ 4, Φ 6		Release button: Black	
	01: G1/8	Φ 4, Φ 6	D: Black			
		02: G1/4	Φ 4			

Specification

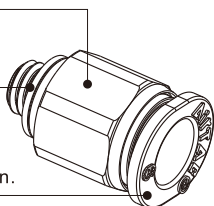
Operating pressure range	0~10kgf/cm²(0~1.0MPa)
Negative pressure	-750mmHg(10Torr)
Proof pressure	1.5MPa
Ambient and fluid temperature (°C)	-20~70
Applicable tubing	Soft nylon or polyurethane
Color	Gray/black

Table for interface port and tube O.D.

Product series	Thread type	Port size		
		Φ 3.2	Φ 4	Φ 6
GPC GPL	M3	●	●	
	M5	●	●	●
	G1/8		●	●
	G1/4		●	

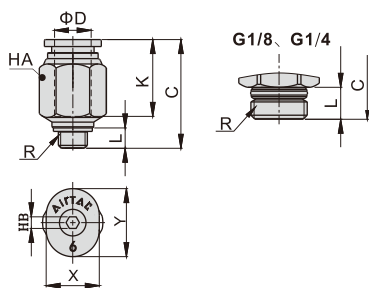
Product feature

- The compact appearance space saving.
- The threaded portion is attached with a sealing gasket to prevent air leakage over the connection thread portion.
- Gray and black are optional for the release button.

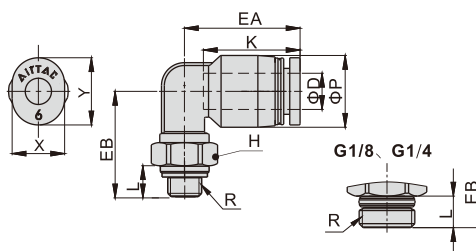


Dimensions

GPC Series



GPL Series



Model\Item	ΦD	R	L	C	K	X	Y	HA	HB	Weight(g)	PCS/bag
GPC3.2M3-M	3.2	M3×0.5	3	16	11.5	6.8	8.7	7	1.5	1.7	10
GPC3.2M5-M		M5×0.8	3.5	16	11.5	6.8	8.7	7	2	2.0	10
GPC4M3-M	4	M3×0.5	3	17.5	12.5	7.8	9.5	8	1.5	2.4	10
GPC4M5-M		M5×0.8	3.5	17	12.5	7.8	9.5	8	2	2.7	10
GPC401-M		G1/8	5.5	16	13.5	7.8	9.5	10	3	3.6	10
GPC402-M	G1/4	6.5	16.5	13.5	7.8	9.5	14	3	9.5	10	
GPC6M5-M	6	M5X0.8	3.5	18.5	13.5	9.8	11.7	10	2	3.6	10
GPC601-M		G1/8	5.5	18.5	15.5	9.8	11.7	11	4	6.0	10

Model\Item	ΦD	R	ΦP	L	K	EA	EB	H	X	Y	Weight(g)	PCS/bag
GPL3.2M3-M	3.2	M3×0.5	7.5	3	12	14.5	14	7	6.8	8.7	2.4	10
GPL3.2M5-M		M5×0.8		3.5	12		14.5	7	6.8	8.7	2.7	10
GPL4M3-M	4	M3×0.5	8.5	3	12.5	15	14	7	7.8	9.5	3.0	10
GPL4M5-M		M5×0.8		3.5	12.5		14.5	7	7.8	9.5	3.3	10
GPL401-M		G1/8		5.5	12.5		14	10	7.8	9.5	6.2	10
GPL402-M	G1/4	6.5	12.5	16.5	14	7.8	9.5	14.1	10			
GPL6M5-M	6	M5X0.8	10.5	3.5	13.5	16.0	15.5	7	9.8	11.7	4.0	10
GPL601-M		G1/8		5.5	13.5		14.5	10	9.8	11.7	6.8	10

One-touch fittings—threaded type

Ordering code

Same diameter type fittings

GPL 6 01 □

① ② ③ ④

① Model	② Port size	③ Thread connection	④ Standard color
GPHW: Double universal male elbow (G thread) 	GPL: Male elbow (G thread) 	Thread connection Adaptable port size	Standard color Specification Release button: Gray Adaptable model GPCF GPMF
GPHF: Universal female elbow (G thread) 	GPLL: Extended male elbow (G thread) 	M5: M5X0.8 Φ4, Φ6	Blank: Gray Release button: Gray Body: Gray Others
GPEB: Male branch tee (G thread) 	GPLF: Female elbow (G thread) 		
GPED: Male run tee (G thread) 	GPCF: Female connector (G thread) 	4: Φ4mm 6: Φ6mm 8: Φ8mm 10: Φ10mm 12: Φ12mm	Release button: Black GPCF GPMF
GPYB: Branch "Y" (G thread) 	GPMF: Bulkhead connector (G thread) 		
GPZB: Threaded cross (G thread) 	GPH: Universal male elbow (G thread) 	01: G1/8 02: G1/4 03: G3/8 04: G1/2	D: Black Release button: Black Body: Black Others

Different diameter type fittings

GPKD 6-4 01 □

① ② ③ ④ ⑤

① Model	② Port size	③ Port size	④ Thread connection	⑤ Standard color
GPKD: Male reducer triple branch (G thread) 	6: Φ6mm 8: Φ8mm 10: Φ10mm	4: Φ4mm 6: Φ6mm 8: Φ8mm	01: G1/8 02: G1/4 03: G3/8	Standard color Specification Blank: Gray Release button: Gray/Body: Gray D: Black Release button: Black/Body: Black

Specification

Operating pressure range	0~10kgf/cm ² (0~1.0MPa)
Negative pressure	-750mmHg(10Torr)
Proof pressure	1.5MPa
Ambient and fluid temperature (°C)	-20~70
Applicable tubing	Soft nylon or polyurethane
Color	Gray/black

Product feature

- Variable models can be widely used in every kind of pneumatic systems.
- High circulation performance: bear the same flow with the volume of the tubing inside diameter.
- Connect tubing easily and conveniently. The tubing connection portion is safe and durable.
- The thread is attached with a sealing gasket to prevent air leakage over the connection thread portion.
- The nickel plated body is anti-corrosion and anti-pollution, which allows a broader application.

Inner structure

GPL Series		No.	Item	Material
		1	Release button	POM
		2	Guide	Aluminum alloy
		3	Spring gasket	Stainless steel
		4	Chuck	POM
		5	O-ring	NBR
		6	Body	PBT
		7	O-ring	NBR
		8	Stud	Brass
		9	O-ring	NBR

Table for interface port and tube O.D.

Product series	Thread type	Port size				
		Φ4	Φ6	Φ8	Φ10	Φ12
GPL	M5	●				
	G1/8	●	●	●	●	●
	G1/4	●	●	●	●	●
	G3/8	●	●	●	●	●
	G1/2	●	●	●	●	●
GPLL	M5	●	●			
	G1/8	●	●	●	●	
	G1/4	●	●	●	●	●
	G3/8	●	●	●	●	●
GPLF	M5	●	●			
	G1/8	●	●	●	●	
	G1/4	●	●	●	●	●
	G3/8	●	●	●	●	●
GPCF	M5	●	●			
	G1/8	●	●	●	●	
	G1/4	●	●	●	●	●
	G3/8	●	●	●	●	●
GPMF	M5	●	●			
	G1/8	●	●	●	●	
	G1/4	●	●	●	●	●
	G3/8	●	●	●	●	●
GPH	M5	●	●			
	G1/8	●	●	●	●	
	G1/4	●	●	●	●	●
	G3/8	●	●	●	●	●
GPHF	M5	●	●			
	G1/8	●	●	●	●	
	G1/4	●	●	●	●	●
	G3/8	●	●	●	●	●
GPHW	M5	●	●			
	G1/8	●	●	●	●	
	G1/4	●	●	●	●	●
	G3/8	●	●	●	●	●
GPZB	M5	●	●			
	G1/8	●	●	●	●	
	G1/4	●	●	●	●	●
	G3/8	●	●	●	●	●

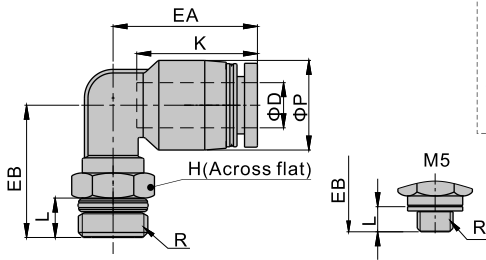
Product series	Thread type	Port size				
		Φ4	Φ6	Φ8	Φ10	Φ12
GPLF	M5	●	●			
	G1/8	●	●	●	●	
	G1/4	●	●	●	●	●
	G3/8	●	●	●	●	●
	G1/2	●	●	●	●	●
GPCF	M5	●	●			
	G1/8	●	●	●	●	
	G1/4	●	●	●	●	●
	G3/8	●	●	●	●	●
GPMF	M5	●	●			
	G1/8	●	●	●	●	
	G1/4	●	●	●	●	●
	G3/8	●	●	●	●	●
GPKD	G1/8	●				
	G1/4		●			
	G3/8			●		

Accessories—One-Touch Fittings

One-touch fittings—threaded type

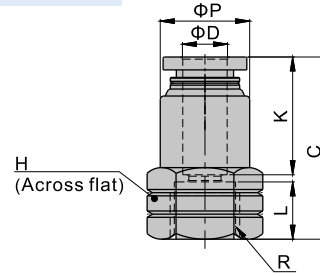
Dimensions

GPL Series



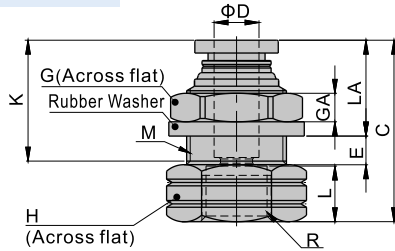
Model\Item	ΦD	R	ΦP	L	K	EA	EB	H	Weight(g)	PCS/bag
GPL6M5	6	M5×0.8	12.5	3.5	17	20	17.0	8	4.5	10
GPL601		G1/8	12.5	5.5	17	20	18.5	10	5.2	10
GPL602		G1/4	12.5	6.5	17	20	22.0	14	11.9	10
GPL603		G3/8	12.5	7	17	20	23.0	19	20.5	10
GPL604	G1/2	12.5	8.5	17	20	26.5	22	32.7	10	
GPL801	8	G1/8	15	5.5	18.5	23	19.0	10	6.9	10
GPL802		G1/4	15	6.5	18.5	23	24.0	14	12.2	10
GPL803		G3/8	15	7	18.5	23	24.0	19	21	10
GPL804		G1/2	15	8.5	18.5	23	27.5	22	32.7	10
GPL1001	10	G1/8	18	5.5	21	25.5	24.5	17	16.3	10
GPL1002		G1/4	18	6.5	21	25.5	25.0	17	17.4	10
GPL1003		G3/8	18	7	21	25.5	25.5	19	21	10
GPL1004		G1/2	18	8.5	21	25.5	29.0	22	33.7	10
GPL1201	12	G1/8	21	5.5	23	28.5	26.0	17	18.8	10
GPL1202		G1/4	21	6.5	23	28.5	26.5	17	19.9	10
GPL1203		G3/8	21	7	23	29.5	30.5	19	27.4	10
GPL1204		G1/2	21	8.5	23	29.5	30.5	22	33.7	10

GPCF Series



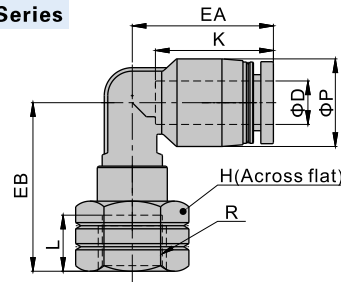
Model\Item	ΦD	R	ΦP	L	C	K	H	Weight(g)	PCS/bag
GPCF4M5	4	M5×0.8	9	5	21	14	10	2.7	10
GPCF401		G1/8	9.5	8	23	14	14	4.5	10
GPCF402		G1/4	9.5	11	26	14	17	6.5	10
GPCF6M5		M5×0.8	12	5	21.5	16.5	12	3.9	10
GPCF601	6	G1/8	12.5	8	25.5	16.5	14	5.6	10
GPCF602		G1/4	12.5	11	28.5	16.5	17	7.5	10
GPCF603		G3/8	13	12	29.5	16.5	21	10.7	10
GPCF604		G1/2	13	13.5	31.0	16.5	25	13.8	10
GPCF801	8	G1/8	14	8	27.5	18.5	14	5.8	10
GPCF802		G1/4	14.5	11	30.5	18.5	17	8.4	10
GPCF803		G3/8	14.5	12	31.5	18.5	21	11.2	10
GPCF804		G1/2	14.5	13.5	33	18.5	25	14.4	10
GPCF1001	10	G1/8	17	8	29	21	17	9.5	10
GPCF1002		G1/4	17	11	33	21	17	9.9	10
GPCF1003		G3/8	18	12	34	21	21	14	10
GPCF1004		G1/2	18	13.5	35.5	21	25	17.1	10
GPCF1202	12	G1/4	21	11	33.5	23	21	17.5	10
GPCF1203		G3/8	21	12	35.5	23	21	16.6	10
GPCF1204		G1/2	21	13.5	37	23	25	19.7	10

GPMF Series



Model\Item	ΦD	R	M	L	C	K	LA	E	GA	G	H	Weight(g)	PCS/bag
GPMF401	4	G1/8	M12X1	8	25	14	12.0	4	4	14	14	6.4	10
GPMF402		G1/4	M12X1	11	29	14	12.0	4	4	14	17	9	10
GPMF601		G1/8	M14X1	8	25.5	16.5	12.5	5	4	17	17	9.1	10
GPMF602	6	G1/4	M14X1	11	30.5	16.5	12.5	5	4	17	17	10.9	10
GPMF603		G3/8	M14X1	12	31.5	16.5	12.5	5	4	17	21	13.2	10
GPMF801		G1/8	M16X1	8	27.5	18.5	13.5	5.5	4	19	19	12.8	10
GPMF802	8	G1/4	M16X1	11	32	18.5	13.5	5.5	4	19	19	15.7	10
GPMF803		G3/8	M16X1	12	33	18.5	13.5	5.5	4	19	21	15	10
GPMF804		G1/2	M16X1	13.5	34.5	18.5	13.5	5.5	4	19	25	18.1	10
GPMF1001	10	G1/8	M20X1	8	30	21	14.5	7.5	5	24	22	19.6	10
GPMF1002		G1/4	M20X1	11	35	21	14.5	7.5	5	24	22	22.8	10
GPMF1003		G3/8	M20X1	12	36	21	14.5	7.5	5	24	22	21.1	10
GPMF1004		G1/2	M20X1	13.5	37.5	21	14.5	7.5	5	24	25	23.2	10
GPMF1202	12	G1/4	M22X1	11	34.5	23	15.5	8	6	27	24	26.2	10
GPMF1203		G3/8	M22X1	12	37.5	23	15.5	8	6	27	24	27	10
GPMF1204		G1/2	M22X1	13.5	39	23	15.5	8	6	27	25	26.2	10

GPLF Series

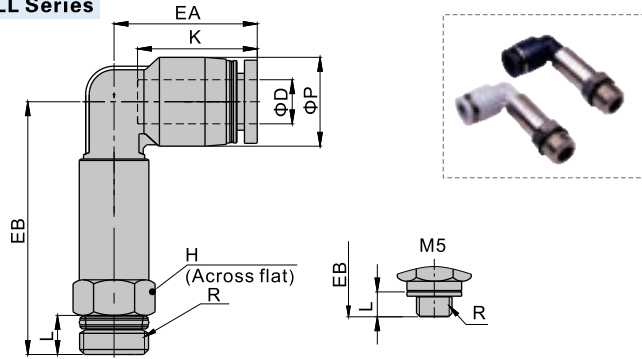


Model\Item	ΦD	R	ΦP	L	K	EA	EB	H	Weight(g)	PCS/bag
GPLF4M5	4	M5×0.8	9	5	14	17	16	10	2.9	10
GPLF401		G1/8	9	8	14	17	21	14	4.6	10
GPLF402		G1/4	9	11	14	17	24	17	6.8	10
GPLF6M5	6	M5×0.8	12.5	5	17	20	18.5	10	7	10
GPLF601		G1/8	12.5	8	17	20	23	14	5.8	10
GPLF602		G1/4	12.5	11	17	20	26	17	8	10
GPLF603	G3/8	12.5	12	17	20	27	21	10.7	10	
GPLF801	8	G1/8	15	8	18.5	23	20	14	6.6	10
GPLF802		G1/4	15	11	18.5	23	27.5	17	9.2	10
GPLF803		G3/8	15	12	18.5	23	28.5	21	11.9	10
GPLF804	G1/2	15	13.5	18.5	23	30	25	15.2	10	
GPLF1001	10	G1/8	18	8	21	25.5	24	17	11.3	10
GPLF1002		G1/4	18	11	21	25.5	26.5	17	11.2	10
GPLF1003		G3/8	18	12	21	25.5	30	21	14.5	10
GPLF1004	G1/2	18	13.5	21	25.5	31.5	25	17.4	10	
GPLF1202	12	G1/4	21	11	23	28.5	28.5	17	13.7	10
GPLF1203		G3/8	21	12	23	29.5	32	21	17.4	10
GPLF1204		G1/2	21	13.5	23	29.5	33	25	20.4	10

Accessories—One-Touch Fittings

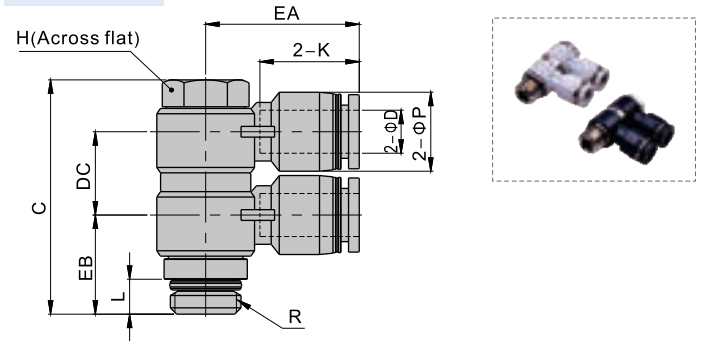
One-touch fittings—threaded type

GPLL Series



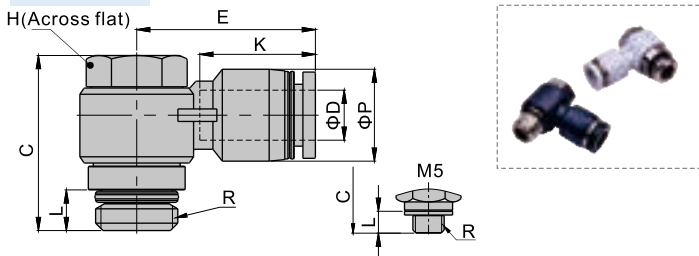
Model\Item	ΦD	R	ΦP	L	K	EA	EB	H	Weight(g)	PCS/bag
GPLL4M5	4	M5×0.8	9	3.5	14	17	32.5	8	8.9	10
GPLL401		G1/8	9	5.5	14	17	33.5	10	11.4	10
GPLL402		G1/4	9	6.5	14	17	36.5	14	15.3	10
GPLL6M5	6	M5×0.8	12.5	3.5	17	20	34.5	8	9.9	10
GPLL601		G1/8	12.5	5.5	17	20	35.5	10	12.1	10
GPLL602		G1/4	12.5	6.5	17	20	38.5	14	16.4	10
GPLL603		G3/8	12.5	7	17	20	41	19	24	10
GPLL801	8	G1/8	15	5.5	18.5	23	43	12	16.4	10
GPLL802		G1/4	15	6.5	18.5	23	43.5	14	21.1	10
GPLL803		G3/8	15	7	18.5	23	46	19	28.5	10
GPLL1001	10	G1/8	18	5.5	21	25.5	50	15	37.3	10
GPLL1002		G1/4	18	6.5	21	25.5	51.5	15	39	10
GPLL1003		G3/8	18	7	21	25.5	52.5	19	41.5	10
GPLL1004		G1/2	18	8.5	21	25.5	53.5	22	44.1	10
GPLL1202	12	G1/4	21	6.5	23	28.5	56	15	44	10
GPLL1203		G3/8	21	7	23	29.5	58	19	56.8	10
GPLL1204		G1/2	21	8.5	23	29.5	59.5	22	53.4	10

GPHW Series



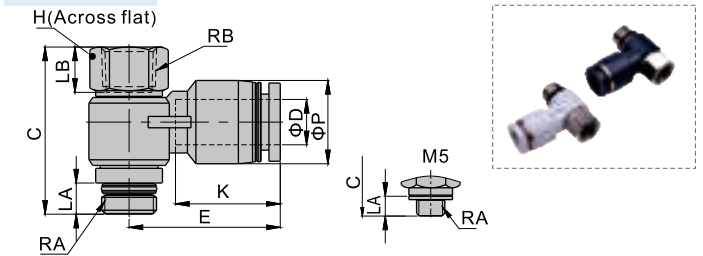
Model\Item	ΦD	R	ΦP	L	C	K	EA	EB	DC	H	Weight(g)	PCS/bag
GPHW401	4	G1/8	9	5.5	38	14	20.5	14.5	13	11	19	10
GPHW601	6	G1/8	12.5	5.5	38	16.5	23.0	15	13	11	21	10
GPHW602		G1/4	12.5	6.5	43.5	16.5	25.0	17.5	15.5	14	40.2	10
GPHW603		G3/8	12.5	7	50	16.5	27.0	20	16.5	19	69.2	5
GPHW801	8	G1/8	15	5.5	40.5	18.5	26.5	16.5	15.5	11	23.6	10
GPHW802		G1/4	15	6.5	43.5	18.5	28.5	18.5	15.5	14	40.8	10
GPHW803		G3/8	15	7	50	18.5	29.5	20	16.5	19	70.4	5
GPHW804		G1/2	15	8.5	61	18.5	32	24.5	22	24	134.8	5
GPHW1002	10	G1/4	18	6.5	46.5	21	31	20	18.5	14	47	10
GPHW1003		G3/8	18	7	55	21	33	21	22	19	87.5	5
GPHW1004		G1/2	18	8.5	61	21	35.5	25	22	24	137.7	5
GPHW1203	12	G3/8	21	7	55	23	36	23	22	19	86.4	5
GPHW1204		G1/2	21	8.5	61	23	38	26.5	22	24	147.5	5

GPH Series



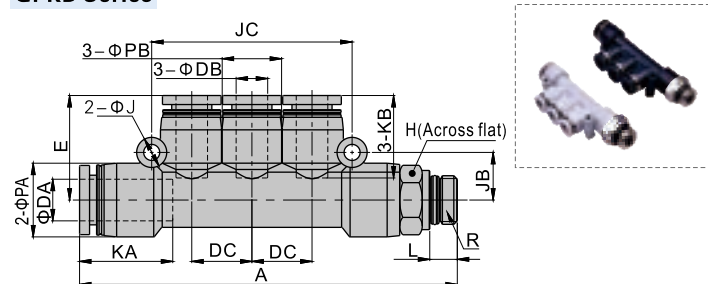
Model\Item	ΦD	R	ΦP	L	C	K	E	H	Weight(g)	PCS/bag
GPH4M5	4	M5×0.8	9	3.5	17	14	19	8	5.8	10
GPH401		G1/8	9	5.5	25	14	20.5	11	12.8	10
GPH6M5	6	M5×0.8	12.5	3.5	17	16.5	23.5	8	6.8	10
GPH601		G1/8	12.5	5.5	25	16.5	23	11	14	10
GPH602		G1/4	12.5	6.5	28	16.5	25	14	25.4	10
GPH603		G3/8	12.5	7	33	16.5	27	19	50.2	5
GPH801	8	G1/8	15	5.5	25	18.5	26.5	11	14.7	10
GPH802		G1/4	15	6.5	28	18.5	28.5	14	26.4	10
GPH803		G3/8	15	7	33	18.5	29.5	19	49.4	5
GPH804		G1/2	15	8.5	39	18.5	32	24	89	5
GPH1002	10	G1/4	18	6.5	28	21	31	14	27.7	10
GPH1003		G3/8	18	7	33	21	33	19	51.1	5
GPH1004		G1/2	18	8.5	39	21	35.5	24	88.5	5
GPH1203	12	G3/8	21	7	33	23	36	19	53	5
GPH1204		G1/2	21	8.5	39	23	38	24	92.8	5

GPHF Series



Model\Item	ΦD	RA	RB	ΦP	LA	LB	C	K	E	H	Weight(g)	PCS/bag
GPHF4M5	4	M5×0.8	M5×0.8	9	3.5	6	20	14	19	8	6.2	10
GPHF401		G1/8	G1/8	9	5.5	8	29.5	14	20.5	12	12.9	10
GPHF6M5	6	M5×0.8	M5×0.8	12.5	3.5	6	20	16.5	23.5	8	7.1	10
GPHF601		G1/8	G1/8	12.5	5.5	8	29.5	16.5	23	12	13.9	10
GPHF602		G1/4	G1/4	12.5	6.5	11	35	16.5	25	17	30.3	10
GPHF603		G3/8	G3/8	12.5	7	12	40	16.5	27	19	44.2	5
GPHF801	8	G1/8	G1/8	15	5.5	8	29.5	18.5	26.5	12	15	10
GPHF802		G1/4	G1/4	15	6.5	11	35	18.5	28.5	17	30.7	10
GPHF803		G3/8	G3/8	15	7	12	40	18.5	29.5	19	44.8	5
GPHF804		G1/2	G1/2	15	8.5	13.5	47.5	18.5	32	24	84.7	5
GPHF1002	10	G1/4	G1/4	18	6.5	11	35	21	31	17	32	10
GPHF1003		G3/8	G3/8	18	7	12	40	21	33	19	46.2	5
GPHF1004		G1/2	G1/2	18	8.5	13.5	47.5	21	35.5	24	86.1	5
GPHF1203	12	G3/8	G3/8	21	7	12	40	23	36	19	48.4	5
GPHF1204		G1/2	G1/2	21	8.5	13.5	47.5	23	38	24	89.7	5

GPKD Series



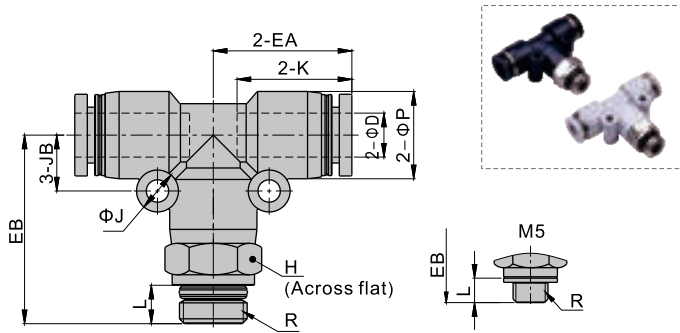
Model\Item	ΦDA	ΦDB	R	L	A	ΦPA	ΦPB	KA	KB
GPKD6-401	6	4	G1/8	5.5	66	12.5	9	16.5	14
GPKD8-602	8	6	G1/4	6.5	77	15	12.5	18.5	16.5
GPKD10-803	10	8	G3/8	7	89.5	18	15	21	18.5

Model\Item	ΦJ	JB	JC	DC	E	H	Weight(g)	PCS/bag
GPKD6-401	3.2	8	34	10	17.5	12	14.9	2
GPKD8-602	3.2	9.5	40	12	21	14	24.9	2
GPKD10-803	4.3	11	48	14.5	24	19	39	2

Accessories—One-Touch Fittings

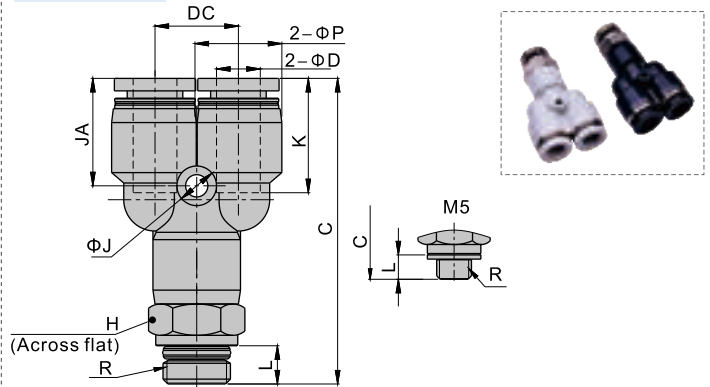
One-touch fittings—threaded type

GPEB Series



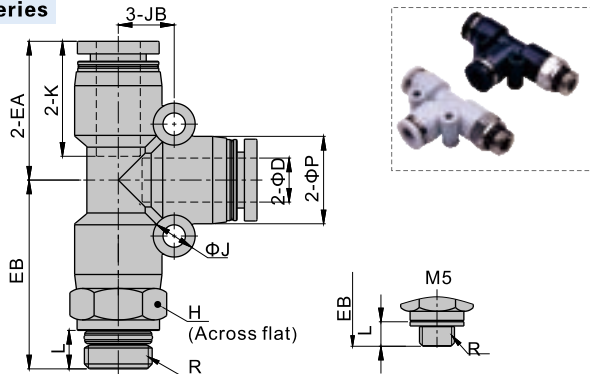
Model/Item	φD	R	φP	L	K	EA	EB	φJ	JB	H	Weight(g)	PCS/bag
GPEB4M5	M5×0.8	9	3.5	14	17	21	3.2	6.5	9	6.8	10	10
GPEB401	4	G1/8	9	5.5	14	17	23	3.2	6.5	10	7.9	10
GPEB402	4	G1/4	9	6.5	14	17	26	3.2	6.5	14	13.9	10
GPEB6M5	M5×0.8	12.5	3.5	16.5	20	23.5	3.2	8	12	11.2	10	10
GPEB601	6	G1/8	12.5	5.5	16.5	20	27	3.2	8	12	13.3	10
GPEB602	6	G1/4	12.5	6.5	16.5	20	28.5	3.2	8	14	17	10
GPEB603	6	G3/8	12.5	7	16.5	20	30	3.2	8	19	26.1	10
GPEB801	8	G1/8	15	5.5	18.5	23	30	4.3	9.5	14	18.2	10
GPEB802	8	G1/4	15	6.5	18.5	23	31	4.3	9.5	14	19.7	10
GPEB803	8	G3/8	15	7	18.5	23	32.5	4.3	9.5	19	29	10
GPEB804	8	G1/2	15	8.5	18.5	23	35	4.3	9.5	22	37.7	10
GPEB1001	10	G1/8	18	5.5	21	26.5	33.5	4.3	11	17	26.5	10
GPEB1002	10	G1/4	18	6.5	21	26.5	34.5	4.3	11	17	27.6	10
GPEB1003	10	G3/8	18	7	21	26.5	35.5	4.3	11	19	32.7	10
GPEB1004	10	G1/2	18	8.5	21	26.5	38	4.3	11	22	42.1	10
GPEB1202	12	G1/4	21	6.5	23	30	39	4.3	13	21	48	10
GPEB1203	12	G3/8	21	7	23	30	40	4.3	13	21	49.1	10
GPEB1204	12	G1/2	21	8.5	23	30	41.5	4.3	13	22	54	10

GPYB Series



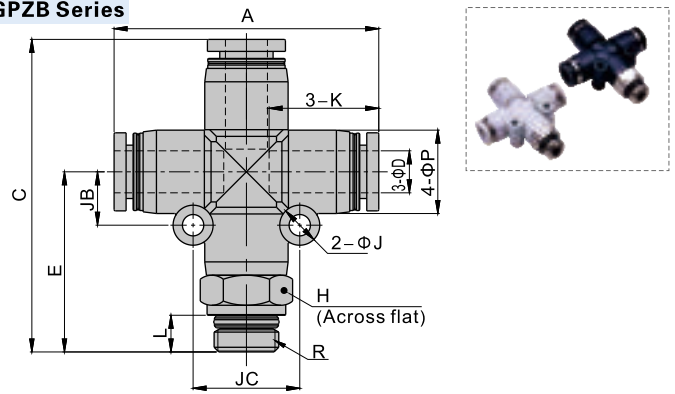
Model/Item	φD	R	φP	L	C	K	φJ	JA	DC	H	Weight(g)	PCS/bag
GPYB4M5	M5×0.8	9	3.5	35.5	14	3.2	13	10	9	6.7	10	10
GPYB401	4	G1/8	9	5.5	37.5	14	3.2	13	10	10	8.1	10
GPYB402	4	G1/4	9	6.5	40.5	14	3.2	13	10	14	9.2	10
GPYB6M5	M5×0.8	12.5	3.5	40.5	16.5	3.2	15.5	12	12	11.1	10	10
GPYB601	6	G1/8	12.5	5.5	44	16.5	3.2	15.5	12	12	13.5	10
GPYB602	6	G1/4	12.5	6.5	45.5	16.5	3.2	15.5	12	14	16.6	10
GPYB603	6	G3/8	12.5	7	47.0	16.5	3.2	15.5	12	19	25.8	10
GPYB801	8	G1/8	15	5.5	50	18.5	3.2	17	14.5	14	19.6	10
GPYB802	8	G1/4	15	6.5	50.5	18.5	3.2	17	14.5	14	20.4	10
GPYB803	8	G3/8	15	7	52	18.5	3.2	17	14.5	19	28.5	10
GPYB804	8	G1/2	15	8.5	55	18.5	3.2	17	14.5	22	37.5	10
GPYB1001	10	G1/8	18	5.5	56	21	4.3	19.5	18	17	27.2	10
GPYB1002	10	G1/4	18	6.5	57	21	4.3	19.5	18	17	27.9	10
GPYB1003	10	G3/8	18	7	58	21	4.3	19.5	18	19	33.3	10
GPYB1004	10	G1/2	18	8.5	60.5	21	4.3	19.5	18	22	42.1	10
GPYB1202	12	G1/4	21	6.5	64	23	4.3	21	20.5	21	25.7	10
GPYB1203	12	G3/8	21	7	65	23	4.3	21	20.5	21	49.7	10
GPYB1204	12	G1/2	21	8.5	66	23	4.3	21	20.5	22	53.5	10

GPED Series



Model/Item	φD	R	φP	L	K	EA	EB	φJ	JB	H	Weight(g)	PCS/bag
GPED4M5	M5×0.8	9	3.5	14	17	21	3.2	6.5	9	6.8	10	10
GPED401	4	G1/8	9	5.5	14	17	23	3.2	6.5	10	7.9	10
GPED402	4	G1/4	9	6.5	14	17	26	3.2	6.5	14	13.9	10
GPED6M5	M5×0.8	12.5	3.5	16.5	20	23.5	3.2	8	12	11.2	10	10
GPED601	6	G1/8	12.5	5.5	16.5	20	27	3.2	8	12	13.3	10
GPED602	6	G1/4	12.5	6.5	16.5	20	28.5	3.2	8	14	17	10
GPED603	6	G3/8	12.5	7	16.5	20	30	3.2	8	19	26.1	10
GPED801	8	G1/8	15	5.5	18.5	23	30	4.3	9.5	14	18.2	10
GPED802	8	G1/4	15	6.5	18.5	23	31	4.3	9.5	14	19.7	10
GPED803	8	G3/8	15	7	18.5	23	33	4.3	9.5	19	29	10
GPED804	8	G1/2	15	8.5	18.5	23	35	4.3	9.5	22	37.7	10
GPED1001	10	G1/8	18	5.5	21	26.5	34	4.3	11	17	26.5	10
GPED1002	10	G1/4	18	6.5	21	26.5	35	4.3	11	17	27.6	10
GPED1003	10	G3/8	18	7	21	26.5	36	4.3	11	19	32.7	10
GPED1004	10	G1/2	18	8.5	21	26.5	38	4.3	11	22	42.1	10
GPED1202	12	G1/4	21	6.5	23	30	39	4.3	13	21	48	10
GPED1203	12	G3/8	21	7	23	30	40	4.3	13	21	49.1	10
GPED1204	12	G1/2	21	8.5	23	30	41.5	4.3	13	22	54	10

GPZB Series



Model/Item	φD	R	L	A	E	C	φP	K	φJ	JB	JC	H	Weight(g)	PCS/bag
GPZB601	6	G1/8	5.5	27	47	12.5	16.5	3.2	8	16	12	15	10	10
GPZB602	6	G1/4	6.5	39.5	28.5	48.5	12.5	16.5	3.2	8	16	14	18.8	10
GPZB603	6	G3/8	7	30	50							19	27.8	10
GPZB801	8	G1/8	5.5	30	53							14	20.7	10
GPZB802	8	G1/4	6.5	46	31	54	15	18.5	4.3	39.5	19	14	22.2	10
GPZB803	8	G3/8	7	32.5	55.5							19	30.7	10
GPZB804	8	G1/2	8.5	35	58							22	40.2	10
GPZB1002	10	G1/4	6.5	35	61							17	31.9	10
GPZB1003	10	G3/8	7	52.5	36	62	18	21	4.3	11	22	19	37.3	10
GPZB1004	10	G1/2	8.5	38	64.5							22	45.9	10
GPZB1203	12	G3/8	7	40	70							21	54.4	10
GPZB1204	12	G1/2	8.5	59.5	41.5	71.5	21	23	4.3	13	26	22	62.1	10